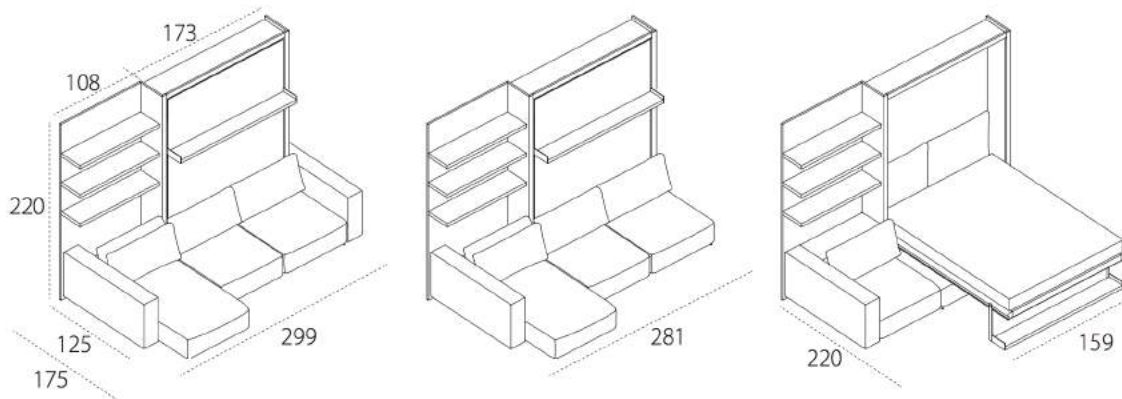


# Swing

Manufactured by Clei | Designed by R&S Clei



\*Picture for Reference Only



## TECHNICAL INFORMATION

- This sofa features one or two armrests, a sliding chaise end with three positions, a reclining comfortable backrest and under-seat compartment.
- The seat is padded with high-density polyurethane in differing densities and rounded edges in synthetic fiber, while the backrest is padded with piumafill and upholstered in 100% pure cotton.
- The Swing sofa is fitted with the double-function transforming system, with tilting opening double bed.
- The bed is always ready to use and features the innovative CF97 slatted bed base.
- The structure is made from aluminium extrusions, with the bed fitted with an integrated adjustment system.
- Swing is self-supporting.
- Upholstered stuffed headboard for the bed, fixed directly to the back panel through snaps, cleaning according to the fabric label.
- Mattress locking belts in nylon.
- H of bed base from the floor cm 49,5.
- Maximum capacity kg 300.
- H of sofa seat from the floor cm 40.