

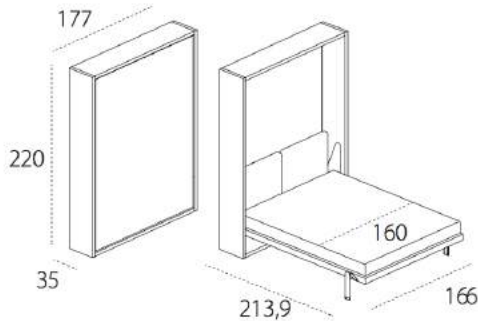
# Penelope Standard

Manufactured by Clei | Designed by R&S Clei

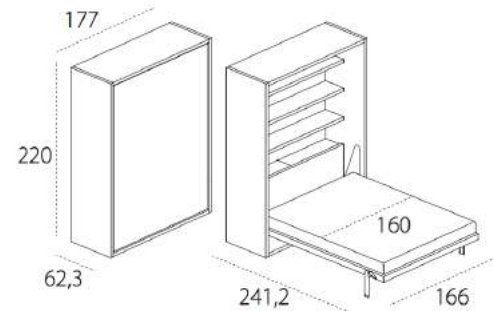


\*Picture for Reference Only

Penelope



Penelope Deep



## TECHNICAL INFORMATION

- Double-function transforming system with a tilting double bed featuring the patented CF09 slatted bed base ( W 166 cm x D 208,4 cm and mattress W 160 cm x D 198 cm ), tilting opening with safety mechanism to stop accidental opening and closing.
- Tilting mechanism through gas springs and device that cushions movements completely contained in the side of the structure, thanks to patented technology and special manufacturing.
- The model, which is produced with depth 35 cm (with fabric bed headboard )or 62,3 cm (with wooden head headboard, pillow compartment shelf).
- Penelope Standard must be fixed to wall.
- Wooden structure with adjustable nylon feet.
- Mattress locking belts in nylon with fasteners in black nylon.
- H of bed base from the floor cm 33,7.
- Maximum capacity of the bed kg 300.