

# Penelope Sofa

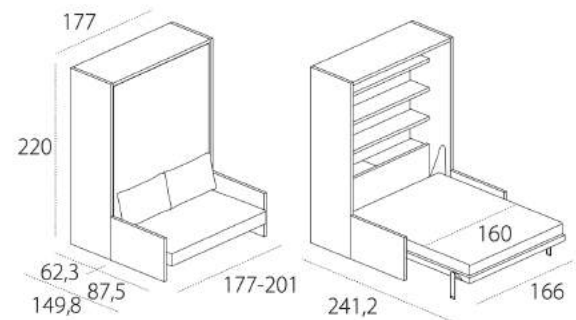
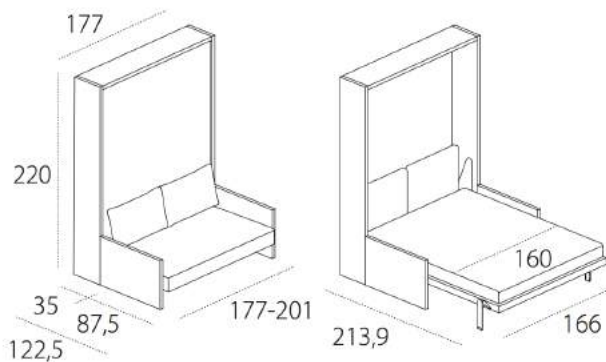
Manufactured by Clei | Designed by R&S Clei & Pierluigi Colombo



\*Picture for Reference Only

Penelope Sofa

Penelope Sofa Deep



## TECHNICAL INFORMATION

- Double-function transforming system with a tilting double bed featuring the patented CF09 slatted bed base (W 166 cm x D 208,4 cm and mattress W 160 cm x D 198 cm), tilting opening with safety mechanism to stop accidental opening and closing.
- Tilting mechanism through gas springs and device that cushions movements, completely contained in the side of the structure, thanks to patented technology and special manufacturing.
- The model, which is produced with depths 35 cm (with fabric bed headboard) or 62,3 cm (with wooden bed headboard, pillow compartment and shelves).
- In the Sofa version of Penelope, when the bed is opened and the backrest cushions are removed, the patented sofa with pivoting structure moves back and slides under the bed.
- The sofa is available with two types of armrests with differing dimensions (W 4 cm or 16 cm).
- The seat is filled with non-deformable foam in differing densities and is upholstered with a layer of polyethylene terephthalate and pure cotton. The backrests are padded with piumafill and upholstered in pure cotton.
- Removable covers with French stitching. Penelope Sofa is self-supporting.
- Wooden structure with adjustable nylon feet.
- Mattress locking belts in nylon with fasteners in black nylon.
- H of bed base from the floor cm 33,7.
- H of sofa seat from the floor cm 37,2.
- Maximum capacity of the bed kg 300.