

Oslo 2-Seater

Manufactured by Clei | Designed by R&S Clei & Pierluigi Colombo

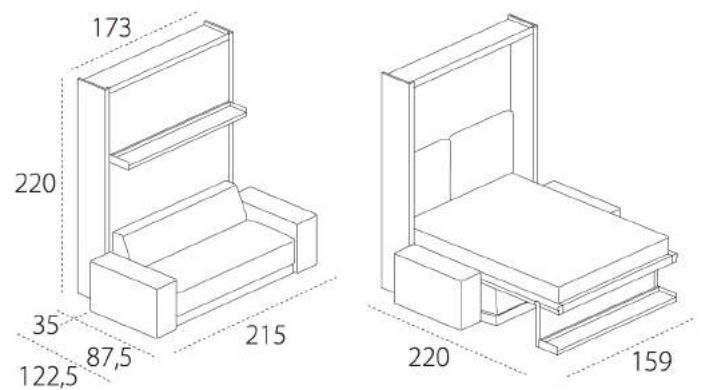
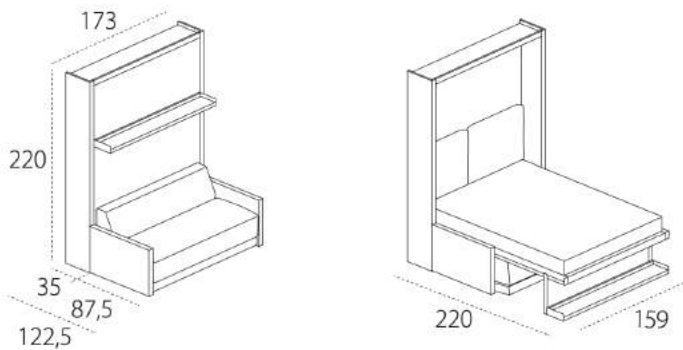


Oslo 173



*Picture for Reference Only

Oslo 215



TECHNICAL INFORMATION

- Oslo is a sofa composed of a large section with full-size seat pad cushion and armrest and another armchair section with armrest, integrated to the double-function transforming double bed system, with tilting opening and with CF97 slatted bed base.
- The sofa is produced in two versions, both of which have a pillow compartment underneath the seat part. The W 301 cm version features W 27 cm armrests, while the
- W 173 cm has W 6 cm armrests.
- Both the large section with 27 cm armrest and full W 173 sofa are perfectly aligned with the tilting transforming bed system positioned behind it.
- Opening the bed, automatically the seat slides forward and the backrest flattens out.
- Both the seat pad and backrest are made from non-deformable foam in differing densities and upholstered in polyethylene terephthalate resin. All covers can be removed.
- The model also features rectangular and oval loose cushions and a pouf which can be tucked away under the open bed.
- Oslo divano is self-supporting.
- Mattress locking belts in nylon.
- Upholstered stuffed headboard for the bed, fixed directly to the back panel throughsnaps, cleaning according to the fabric label.
- H of bed base from the floor cm 49,5.
- Maximum capacity kg 300.
- H of sofa seat from the floor cm 40.

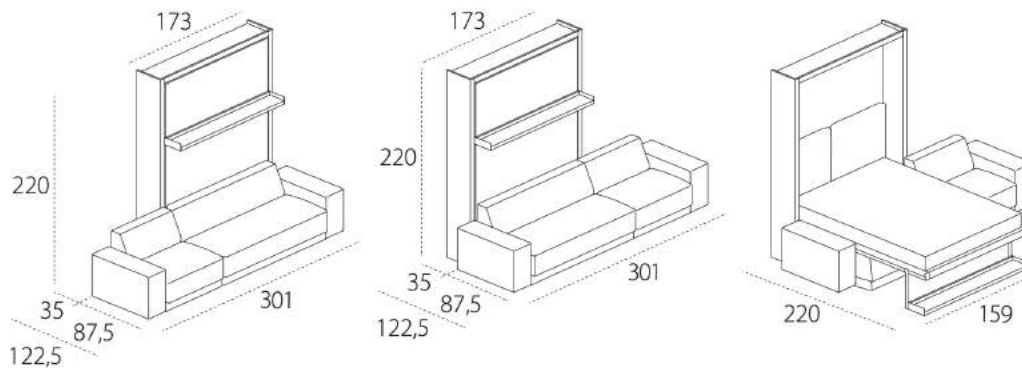
Oslo 3-Seater

Manufactured by Clei | Designed by R&S Clei & Pierluigi Colombo



*Picture for Reference Only

Oslo 301



TECHNICAL INFORMATION

- Oslo is a sofa composed of a large section with full-size seat pad cushion and armrest and another armchair section with armrest, integrated to the double-function transforming double bed system, with tilting opening and with CF97 slatted bed base.
- The sofa is produced in two versions, both of which have a pillow compartment underneath the seat part. The W 301 cm version features W 27 cm armrests, while the W 173 cm has W 6 cm armrests.
- Both the large section with 27 cm armrest and full W 173 sofa are perfectly aligned with the tilting transforming bed system positioned behind it.
- Opening the bed, automatically the seat slides forward and the backrest flattens out.
- Both the seat pad and backrest are made from non-deformable foam in differing densities and upholstered in polyethylene terephthalate resin. All covers can be removed.
- The model also features rectangular and oval loose cushions and a pouf which can be tucked away under the open bed.
- Oslo divano is self-supporting.
- Mattress locking belts in nylon.
- Upholstered stuffed headboard for the bed, fixed directly to the back panel throughsnaps, cleaning according to the fabric label.
- H of bed base from the floor cm 49,5.
- Maximum capacity kg 300.
- H of sofa seat from the floor cm 40.