

# Limousine

Manufactured by Gamma | Design by Dandy



\*Picture for Reference Only

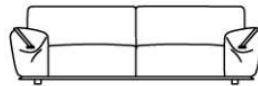
Standard Sofa Configurations:

**D2**



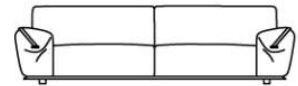
222  
87"

**D2M**



242  
95"

**D3**



262  
103"

## TECHNICAL INFORMATION

- Hard wood frame, seat suspensions in reinforced elastic webbing.
- Seat depth 64 cm - 25".
- Seat height 41 cm - 16".
- Armrest width 36 cm - 14".
- Arm can be opened, inner dimensions 34" x H 13" x 9".
- Seat cushions in polyurethane covered with feather.
- Back cushions in polyurethane covered with feather.
- Wood legs height 8 cm - 3".
- Special stitching CUC 508 "Punto cavallo".

# Limousine Cont. (1)

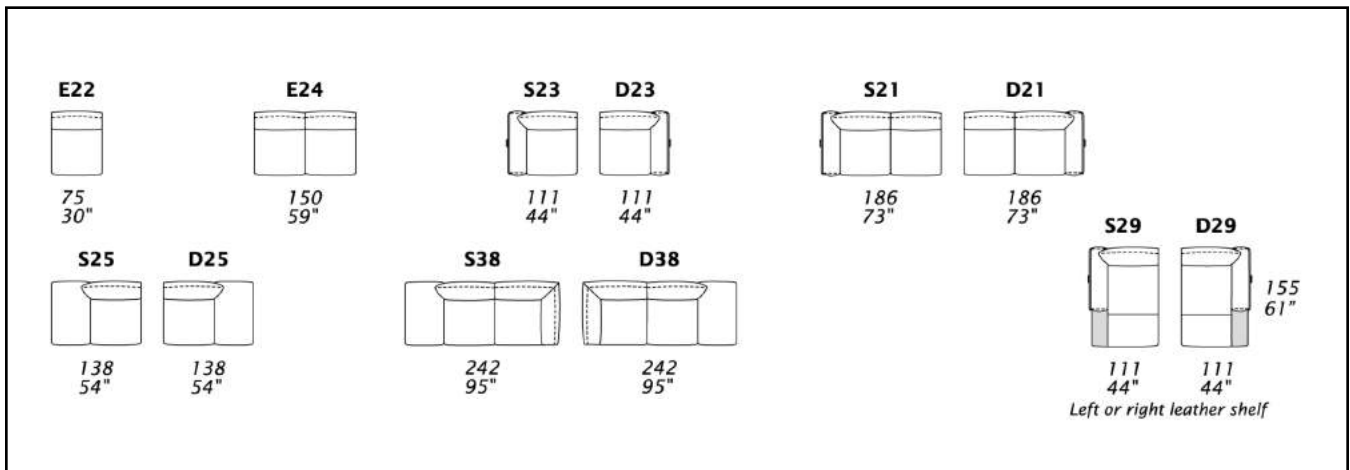
Manufactured by Gamma | Design by Dandy



- Mixing above groups (X - Y - J) will create sectionals with different seat widths.
- Corner piece E01 is an odd piece and can be used with all above groups X - Y - J.

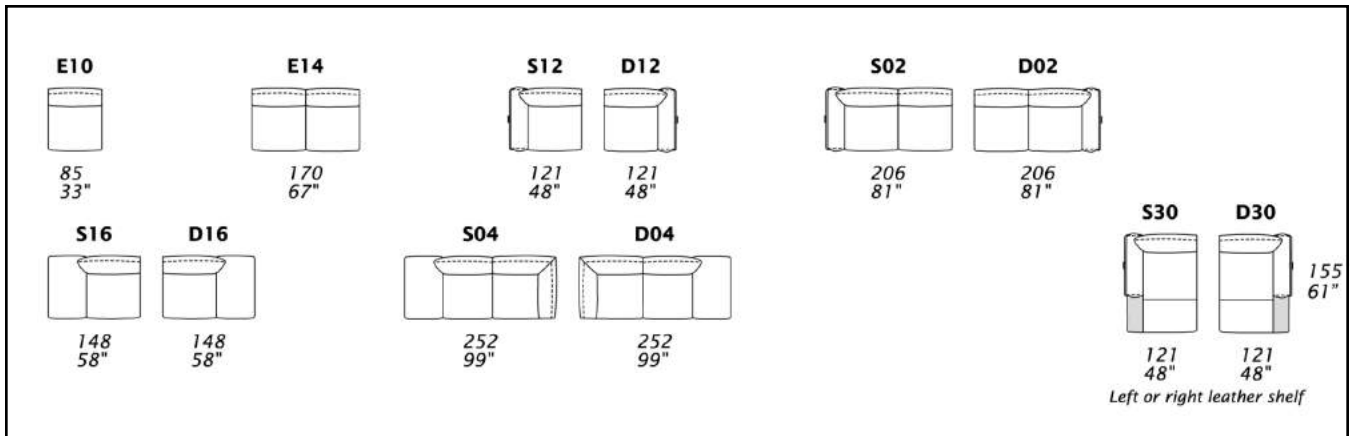
All items in group X have the same seat width

X



All items in group Y have the same seat width

Y



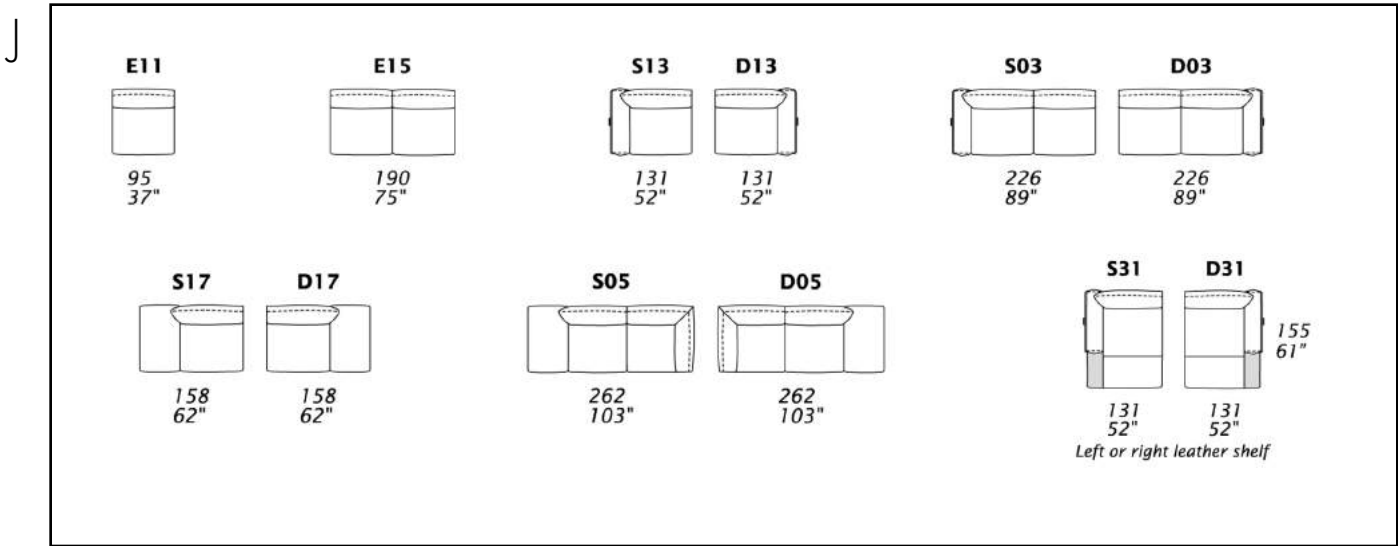
# Limousine Cont. (2)

Manufactured by Gamma | Design by Dandy



- Mixing above groups (X - Y - J) will create sectionals with different seat widths.
- Corner piece E01 is an odd piece and can be used with all above groups X - Y - J.

All items in group J have the same seat width



Misc:

