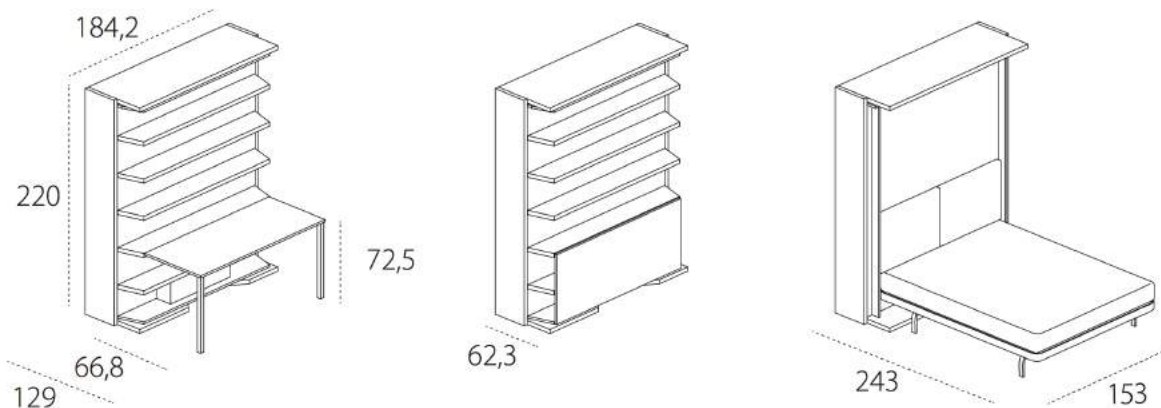


LGM Tavolo

Manufactured by Clei | Designed by R&S Clei & Pierluigi Colombo



*Picture for Reference Only



TECHNICAL INFORMATION

- Double-function transforming system.
- In its day-time set-up, the system features open-faced sections and storage compartments and is completed by a large, flip-up table, with legs stored inside the structure.
- A simple rotational movement transforms it into the nighttime set-up, with a ready-to-use double bed with slatted bed base and extractable side tables on both sides.
- Bed base with reinforced tubular steel frame and slats in solid beech plywood attached to the frame with adjustable nylon/rubber seals. On request it is possible to finish the bed base profile with curved wood.
- Mattress locking belts in nylon with fasteners in black nylon.
- Textile headboard fixed directly to the back panel through automatic buttons, wash as labelled on textile.
- Table: Dimensions cm W 158,8 x D 66,8 x H table from the floor cm 72,5.
- H of bed base from the floor cm 40.
- Maximum capacity of the bed kg 200.