

# Kali Board

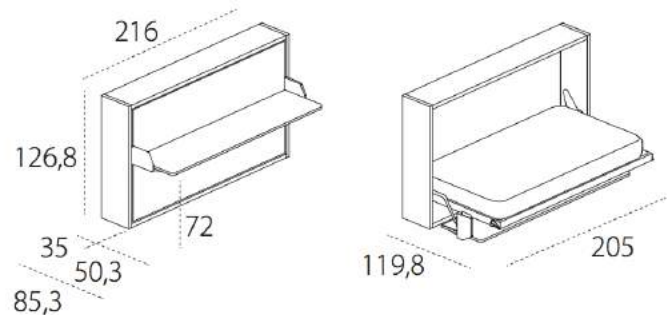
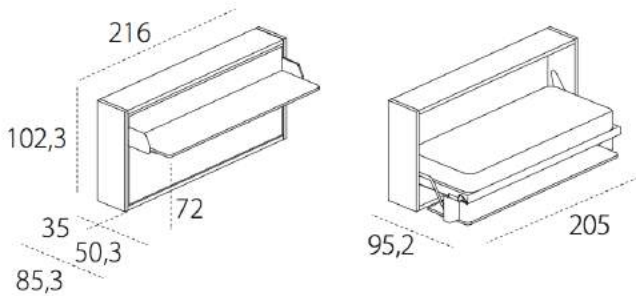
Manufactured by Clei



\*Picture for Reference Only

Kali Board 90

Kali Board 120



## TECHNICAL INFORMATION

- Kali transforming system features a tilting single (90 cm) or intermediate (120 cm) bed, with patented CF09 slatted bed base, a reclining fabric headboard and a patented large desk.
- The tilting opening system is fitted with a safety mechanism preventing accidental opening and closing.
- Tilting mechanism through gas springs and device that cushions movements, completely contained in the side of the structure, thanks to patented technology and special manufacturing.
- The system transforms into the nighttime position in one simple movement, without the user having to remove anything from the desk which pivots and slots in horizontally underneath the bed.
- Wooden structure with adjustable nylon feet.
- Mattress locking belts in nylon.
- Stuffed reclining headboard (optional): iron core mechanism with padding made of cold-foamed polyurethane with removable cover.
- H of bed base from the floor cm 33,7.
- H of desk from the floor cm 72.