

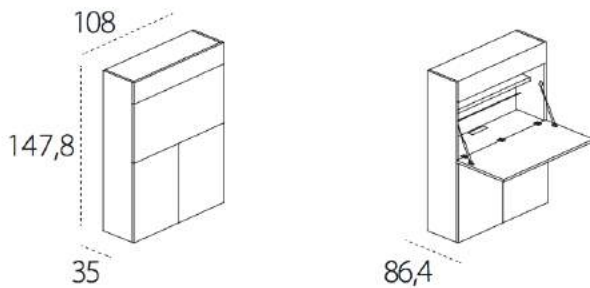
# Home Office

Manufactured by Clei

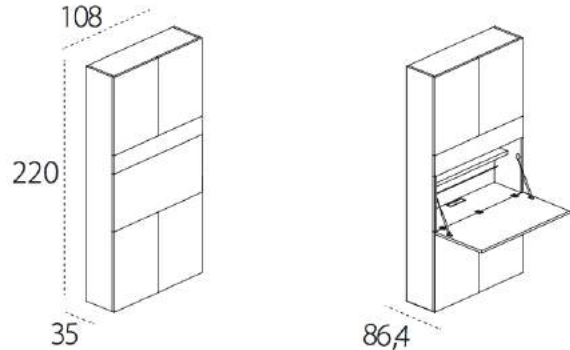


\*Picture for Reference Only

Home Office 1478



Home Office 2200



## TECHNICAL INFORMATION

- Cabinet with hinged doors with touch latch system and equipped with a working station, available in two heights:
- 147,8 cm and 220 cm; it can be integrated with other Clei systems
- In both height configurations, the central tilting door becomes a self-supporting desk; the open compartment is equipped with a shelf made of micro-perforated metal sheet, with cable gland, LED lighting and upper flapping door.
- The short version - 147,8 cm high - features a lower storage compartment,
- The tall version - 220 cm high - has two storage compartments.
- It is compulsory to fix the system to the wall.
- H of desk from the floor cm 76,2.