

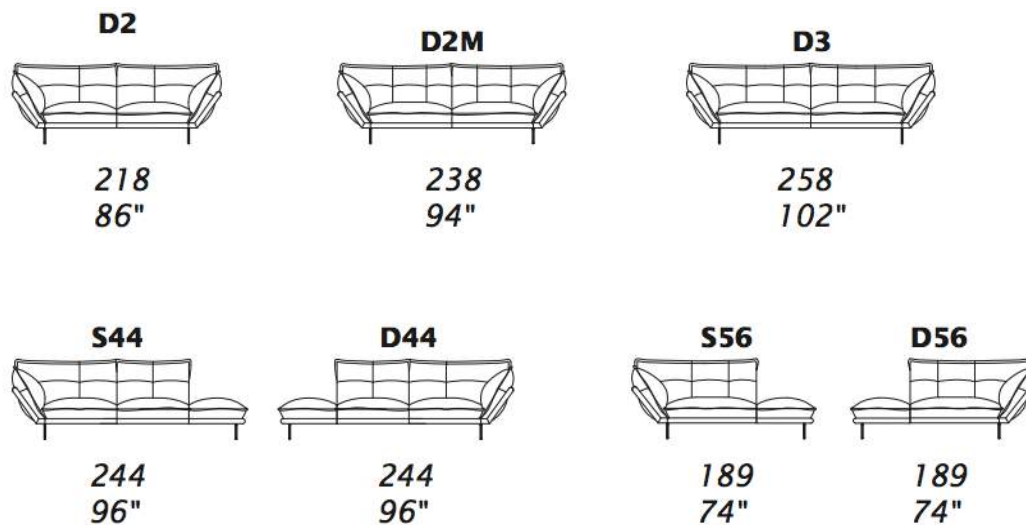
Hollywood

Manufactured by Gamma | Design by Dandy



*Picture for Reference Only

Standard Sofa Configurations:



TECHNICAL INFORMATION

- Hard wood frame, seat suspensions in reinforced elastic webbing.
- Seat depth 60 cm - 24".
- Seat height 43 cm - 17".
- Armrest width 34 cm - 13".
- Armrest height 69 cm - 27".
- Seat and back cushions in polyurethane, covered with feather.
- Legs height 17 cm - 7" available in: stainless steel, dark chrome-titanium or painted metal.
- Available with the following stitching: CUC 500 D, CUC 510 B.

Hollywood Cont. (1)

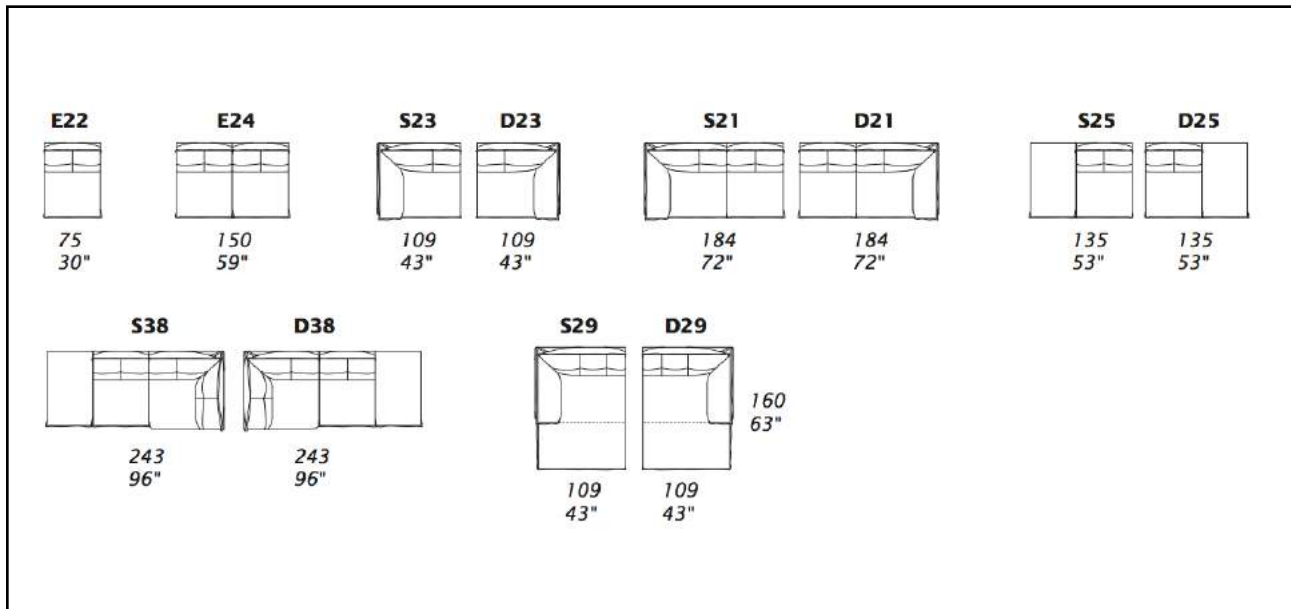
Manufactured by Gamma | Design by Dandy



- Mixing above groups (X - Y - J) will create sectionals with different seat widths.
- Corner piece E20 is an odd piece and can be used with all above groups X - Y - J.
- The soft rim CUC 500D (2,5 cm/ 1 inch) is not included in measures.

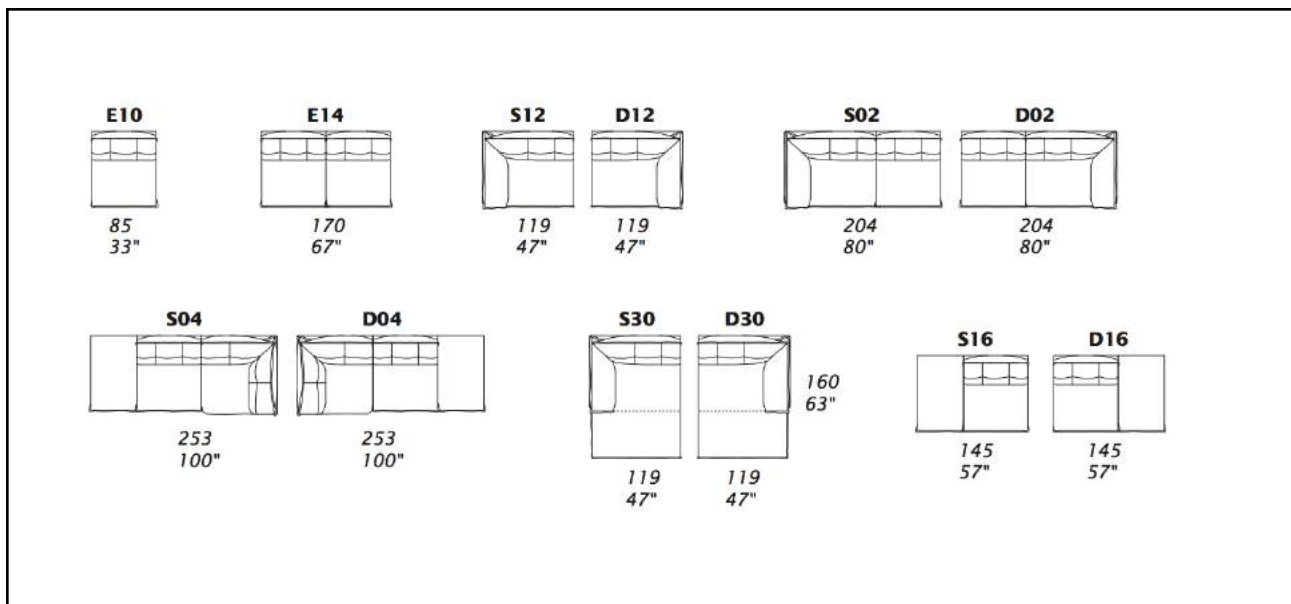
All items in group X have the same seat width

X



All items in group Y have the same seat width

Y



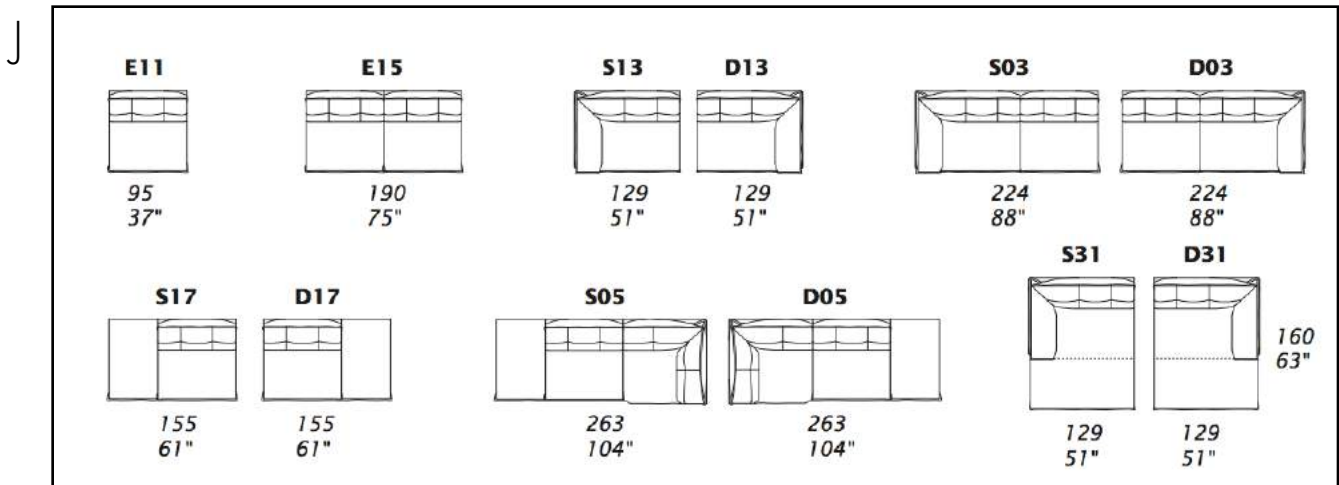
Hollywood Cont. (2)

Manufactured by Gamma | Design by Dandy



- Mixing above groups (X - Y - J) will create sectionals with different seat widths.
- Corner piece E20 is an odd piece and can be used with all above groups X - Y - J.
- The soft rim CUC 500D (2,5 cm/ 1 inch) is not included in measures.

All items in group J have the same seat width



Misc:

