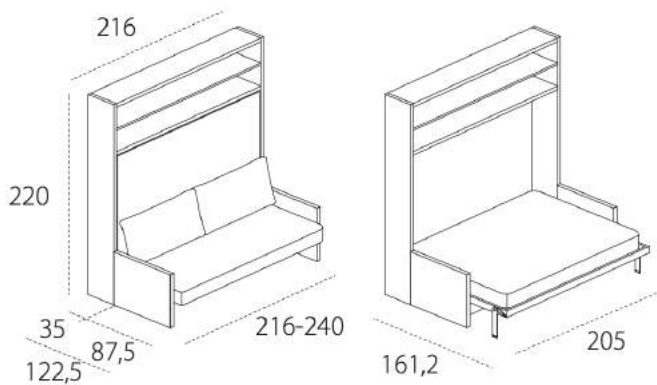


# Circe Sofa

Manufactured by Clei | Designed by R&S Clei & Pierluigi Colombo



\*Picture for Reference Only



## TECHNICAL INFORMATION

- Double-function transforming system with horizontal double bed with slatted bed base CF09 and integrated sofa, both patented, that by a simple movement transforms into the night version: by removing the backrest cushions when the bed opens, the sofa with tilting frame and translational movement takes place underneath the bed.
- The sofa's seat is padded with non-deformable foam in different densities and upholstered with a layer of polyethylene terephthalate and pure cotton.
- The backrests are padded with piumafill and upholstered in pure cotton.
- Removable covers with French stitching.
- Available with armrests of 4 cm or 16 cm wide.
- Tilting mechanism through gas springs and device that cushions movements, completely contained in the side of the structure, thanks to patented technology and special manufacturing.
- The transforming system with horizontal bed is also available in the Standard version, with no sofa.
- Circe Sofa is self-supporting.
- Mattress locking belts in nylon with fasteners in black nylon.
- Stuffed reclining headboard (optional): iron core mechanism with padding made of cold-foamed polyurethane with removable cover.
- H of bed base from the floor cm 33,7.
- Maximum capacity of the bed kg 200.
- H of sofa seat from the floor cm 40.