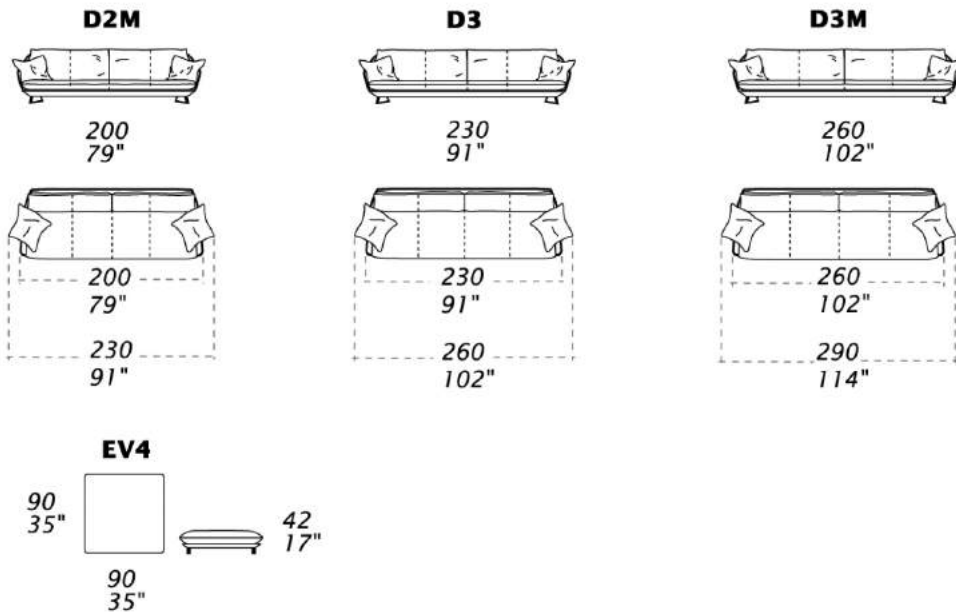


Cadillac

Manufactured by Gamma | Design by Dandy



*Picture for Reference Only



TECHNICAL INFORMATION

- Hard wood frame, seat suspensions in reinforced elastic webbing.
- Seat depth 60 cm - 24".
- Seat height 42 cm - 1 7".
- Seat cushions in polyurethane covered with feather.
- Back cushions in polyurethane covered with feather. Chrome or painted legs height 1 5 cm - 6" available in: RAL 9003, RAL 7044, RAL 3005, RAL 8019, RAL 9005, metallic grey, metallic anthracite.
- Cushions with leather piping.
- Stitching CUC 506.